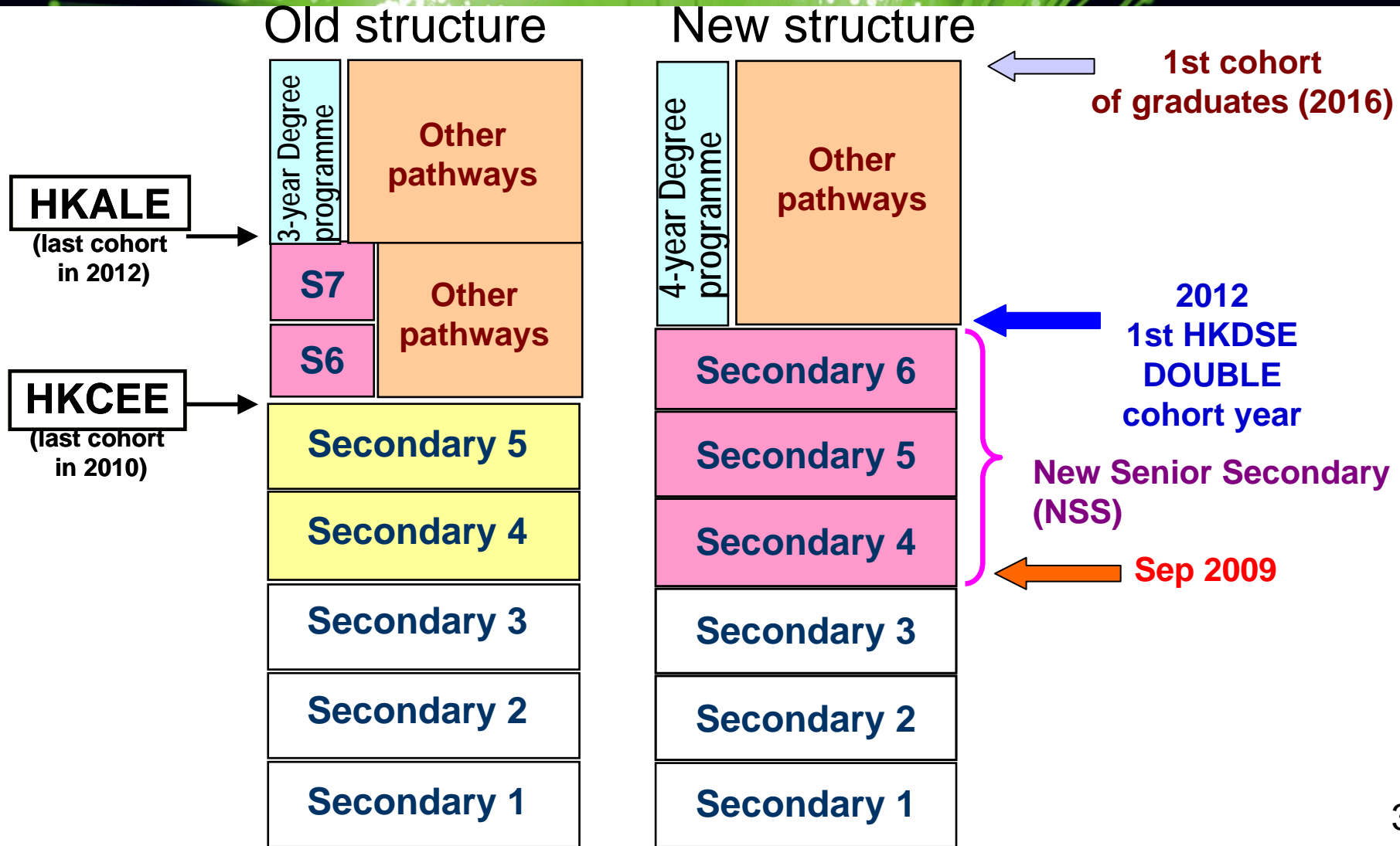


Articulation between UK and new HK education systems

British Council HK

- New academic structure in Hong Kong
- UK education system
- Articulation of students from the new Hong Kong system to UK education
- What is the optimum entry point for schooling?
- Recognition of HKDSE by UK universities

The new academic structure



Hong Kong and UK education systems, up to HK S3

Hong Kong	Age*	UK (Eng, Wales, N. Ire)
Secondary 3	14-15	Secondary 4/ Yr 10 ← GCSE starts
Secondary 2	13-14	Secondary 3/Yr 9
Secondary 1	12-13	Secondary 2/Yr 8
Primary 6	11-12	Secondary 1/Yr 7
Primary 5	10-11	Primary 6
Primary 4	9-10	Primary 5
Primary 3	8-9	Primary 4
Primary 2	7-8	Primary 3
Primary 1	6-7	Primary 2
Kindergarten 3	5-6	Primary 1
Kindergarten 2	4-5	Pre-primary
Kindergarten 1	3-4	Pre-school

Hong Kong and UK education systems, secondary and university

	Hong Kong	Age*	UK (Eng, Wales, N. Ire)	
HKDSE	UG 4	21-22		
	UG 3	20-21	UG 3	
	UG 2	19-20	UG 2	
	UG 1	18-19	UG 1	
	Secondary 6	17-18	Secondary 7 (Y13)	A-level/IB
	Secondary 5	16-17	Secondary 6/Y12	A-level/IB
	Secondary 4	15-16	Secondary 5/Yr 11	GCSE
	Secondary 3	14-15	Secondary 4/ Yr 10	GCSE

*Age: students born Sept 1-Dec 31 who start HK P1 before they turn six will be 17 when complete HKDSE and turn 18 before Dec 31 in UG Year 1

Hong Kong students rated highly in PISA and PIRLS

	PISA* (age 15)		PIRLS** (ages 9-10)	
	2006	2003	2006	2001
Reading Literacy	3 rd	10 th	2 nd	14 th
Mathematical Literacy	3 rd	1 st	N.A.	N.A.
Scientific Literacy	2 nd	3 rd	N.A.	N.A.

*OECD's Programme for International Student Assessment; ** Progress in International Reading Literacy (International Association for the Evaluation of Educational Achievement)

Optimum entry point into the UK system

- Majority of schools think the best entry point for international students is into Year 9 (aged 13-14), or before (ie after HK Secondary One).

We'd advise students hoping to do GCSEs in the UK, to come start with us at least one to two years before the course starts.

The longer they have in the UK to adjust to a different education system and ways of learning, and to build their English language skills, the easier it will be for them to achieve their full potential.

Entry point into GCSE courses in the UK

- About half of schools surveyed will accept students graduating from Secondary 2 into GCSE courses (starting the course at age 14)
- Three quarters will accept students graduating from Secondary 3 into GCSE courses (age 15)



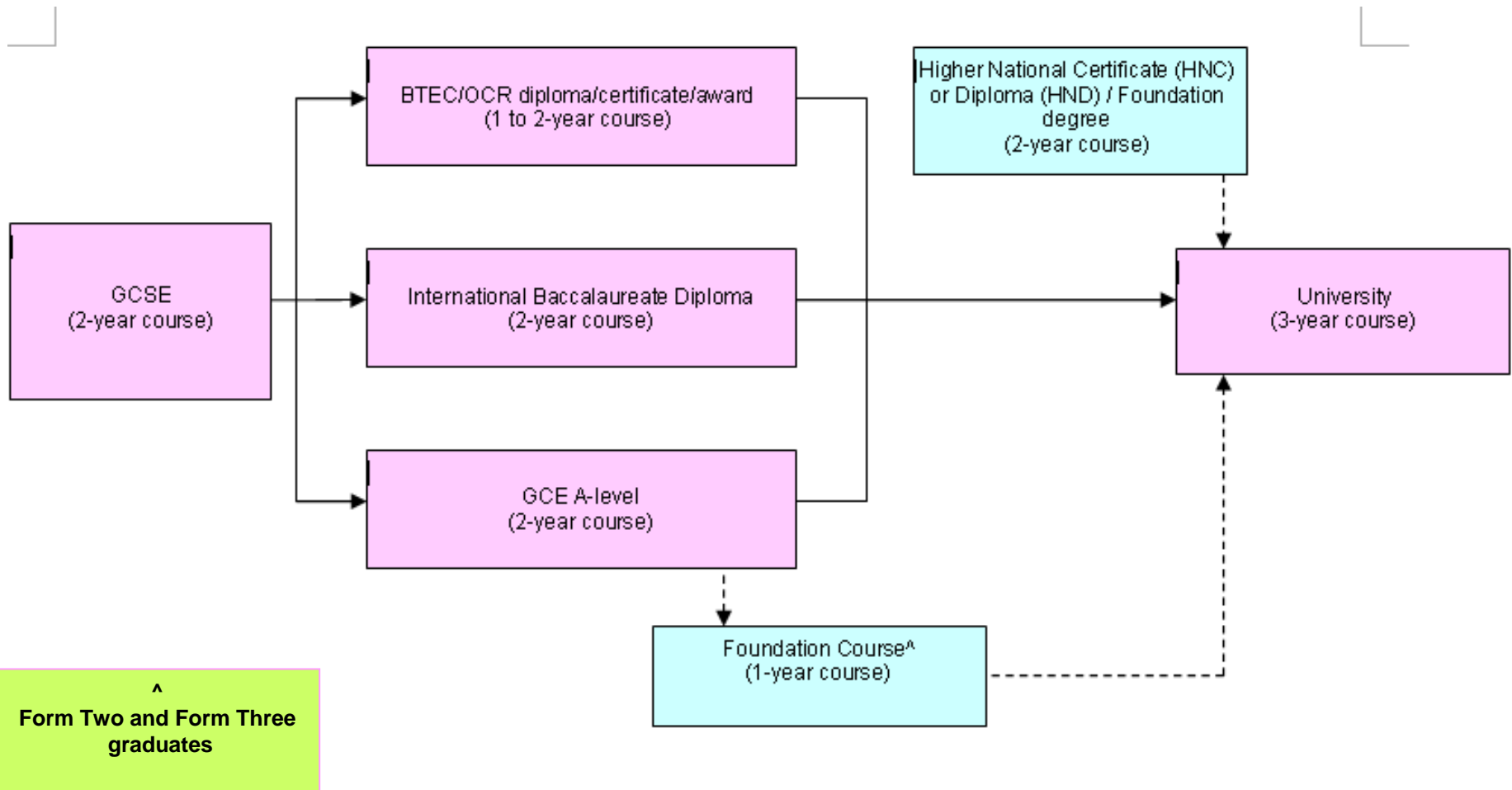
Base: 38 schools / colleges

UK education system and the new HK education system

14 – 16 years old

16 – 18 years old

18 – 21 years old



Entry point into A-levels and IB courses in the UK

Schools and colleges are opting for 2 major entry points:

A: After HK Secondary 5 (age 16-17) (finishing one year after HKDSE)

B: After HK Secondary 4 (age 15-16) (finishing same time as HKDSE)

Alternative forms of assessment

- Without HKCEE results, majority will use internal entrance exams to assess HK students
- Current school exam results and reports are also used
- Other assessment methods for admissions:

Other external exams
Interview
Teacher references



Base: 38 schools / colleges

Multiple Pathways for HKDSE graduates

Hong Kong
Diploma of
Secondary
Education
(HKDSE)

4-year degree programmes

["3322" in Chi, Eng, Maths, LS]

Post-secondary programmes

(including Associate Degree, Higher Diploma)

[5 Level 2 as minimum entrance requirements]

Vocational education and training

(e.g. Diploma and Certificate programmes offered by the Vocational Training Council (VTC))

[5 Level 2]

Study outside Hong Kong, including UK

[33333 to 555 for UK university]

Employment

[recognised by Civil Service Bureau in HK]

UK universities and entry requirements for HKDSE

- British Council has worked closely with EDB and HKEAA to ensure UK universities understand HKDSE and are ready to accept HKDSE students to UG programmes
- Organised visits to meet senior academics in Oxford, Cambridge, London, Manchester.
- More than 80 universities represented



UK universities and the HKDSE

- First UK universities recognise HKDSE for direct entry to UG courses, using UCAS Tariff
- Others considering requirements
- Major public interest

升學專家料留學人數上升

英國名大學承認文憑試

港中學文憑試 牛津華威認可

HK school-leaving
exam gains recognition

**Top British
universities
set diploma
entry terms**

UK universities and the HKDSE

Decisions made by academic committees, based on:

- detailed analysis of UCAS Tariff report
- other information about HKDSE,
- admissions requirements for comparable qualifications
- the needs of the course
- competition for places



UK universities and the HKDSE


- Decisions aim to be fair to all applicants
- Universities are autonomous and may take different approaches
- Universities may interpret the UCAS Tariff differently, but it has been used as reference for all decisions so far




UCAS tariff (excluding maths)

HKDSE	UCAS tariff	UK A-level equivalent (based on 2010 A-level exam)
5**	NA	To be allocated after 2012.
5*	130	A-A*
5	120	A
4	80	C
3	40	E

There is no direct comparison with the HKALE, though HKDSE Levels 4 to 5** in 2012 will take reference to HKALE grades D to A. (HKEAA)

UCAS Contact us | 

 **Register and Login**

What to Apply? Home > Register and Login

Key [Help](#)

Login

If you have already registered, please enter your username and password below to log in. You must enter your username in lower case and your password in the same case you used to register.

Username
 Password [Forgot your login?](#)

Register

If you have not registered for 2008 entry, please click the 'register' button to use this service. You only need to register once for 2008 entry cycle.

UCAS tariff- mathematics

**The overall performance is indicated by the combined tariff points for both compulsory and extended parts, compared with 2010 GCE A-level*

Level	Compulsory Part	Extended Part	Remarks
5**	NA	NA	To be allocated with further evidence after the first administration of the HKDSE examinations in 2012.
5*	60	70	<ul style="list-style-type: none"> ◦ 130 points (60+70) for 5* in both compulsory and extended parts – between A-level Grade A and A*
4	35	50	<ul style="list-style-type: none"> ◦ 120 points (60+60) for 5* in the compulsory part and 5 in the extended part – comparable to A-level Grade A
3	25	40	

Declared requirements

Oxford:	5,5,5 (5* for extended maths, for maths disciplines)
Manchester:	4,5,5 to 5,5,5*
Warwick:	Average 5,5,5 (5xLevel 3 for foundation)
King's College:	Average 5,5,5
Kent:	4,5
Sheffield Hallam:	200-320 UCAS points
Oxford Brookes:	444-554 (or 3x Level 3 for foundation)

Universities that will accept the HKDSE

University of Cambridge:

Dr Geoff Parks, director of admissions: **“We welcome the introduction of the Hong Kong Diploma and are now considering the details of our entry requirements in this new system. We aim to publish these in the autumn.”**

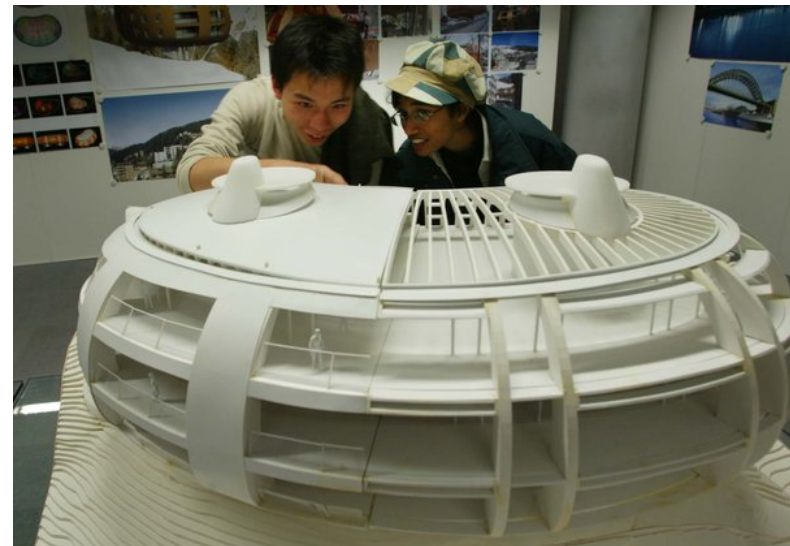
University College London (UCL)

Professor Michael Worton, Vice-Provost: **“The HK diploma marks a significant shift in secondary education. UCL is impressed by the care that has gone into preparing it. We shall be evaluating the diploma carefully with a view to indicating in detail UCL’s requirements for undergraduate admission by September 2010.”**

Thinking well ahead

- Start your research on likely preferences for university and subject, before Secondary 5
- Research subjects required before finalising elective subjects in Secondary 5, particularly for subjects requiring sciences and mathematics
- Balance that with what you like!

Liberal Studies: UK universities do value it!



Further information

British Council
www.educationuk/hongkong

HKEAA website:

HKDSE – www.hkeaa.edu.hk/en/hkdse/

International Recognition – www.hkeaa.edu.hk/en/ir/

EDB website:

New Academic Structure Web Bulletin

<http://334.edb.hkedcity.net/EN/index.php>



Thank you!